

# OVERLAP SINGLE SWING DOOR, FOUR SIDED FRAME

**DOOR STYLE:**

OVERLAP W/ FRAME

**DOOR FRAME TYPE:**

FOUR SIDED FACE CASINGS	3 SIDED RETURN JAMB
THREE SIDED INSIDE CASINGS	4 SIDED RETURN JAMB

**OPENING SIZE:**

FINISHED OPENING WIDTH (W.I.C.):	WALL THICKNESS:
FINISHED OPENING HEIGHT (H.I.C.):	

**OPENING METHOD:**

HINGED ON LEFT                      HINGED ON RIGHT

**APPLICATION:**

COOLER                      FREEZER                      4" THICK                      6" THICK  
 (FREEZER DOORS COME STANDARD WITH HEAT IN 4 SIDES OF THE FRAME)

**ENTER ROOM TEMPERATURES:**

TEMPERATURE WALL SIDE:	F (PLEASE PROVIDE)
TEMPERATURE HINGE SIDE:	F (PLEASE PROVIDE)

**CLADDING - HINGE SIDE:**

EMBOSSD WHITE GALVANIZED.	STAINLESS STEEL, EMBOSSD
EMBOSSD WHITE ALUMINUM	
CUSTOM	

**CLADDING - WALL SIDE:**

EMBOSSD WHITE GALVANIZED.	STAINLESS STEEL, EMBOSSD
EMBOSSD WHITE ALUMINUM	
CUSTOM	

**HINGES:**

STANDARD HINGES	STAINLESS HINGES
-----------------	------------------

**VISION WINDOW:**

HEATED	NON-HEATED	14" x 14"	14" x 24"
--------	------------	-----------	-----------

**KICK PLATE - HINGE SIDE:**

16 GA. GALVANIZED PLATE	1/8" DIAMOND PLATE	STAINLESS STEEL
12" TALL	24" TALL	36" TALL                      48" TALL

**KICK PLATE - WALL SIDE:**

16 GA. GALVANIZED PLATE	1/8" DIAMOND PLATE	STAINLESS STEEL
12" TALL	24" TALL	36" TALL                      48" TALL


**ADDITIONAL OPTIONS:**

JAMB CHANNEL TRIM  
 RAIN HOOD  
 EXTRA HINGE

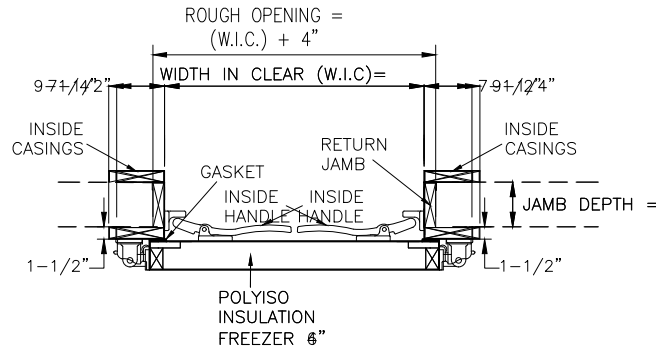
**APPLICATION (REQUIRED):**

- |  |     |    |
|--|-----|----|
| 1. IS THIS DOOR ON A BOX GREATER THAN 3000 SQ FEET?  | YES | NO |
| 2. IF NO, IS BOX LOCATED IN COLD STORAGE FACILITY/ATMOSPHERE WITH FLOOR AREA 3000 SQ FEET OR LARGER? (A/C IS NOT COLD STORAGE) | YES | NO |
| 3. DOES THIS APPLICATION INVOLVE MEDICAL, SCIENTIFIC, OR RESEARCH FACILITIES?  | YES | NO |

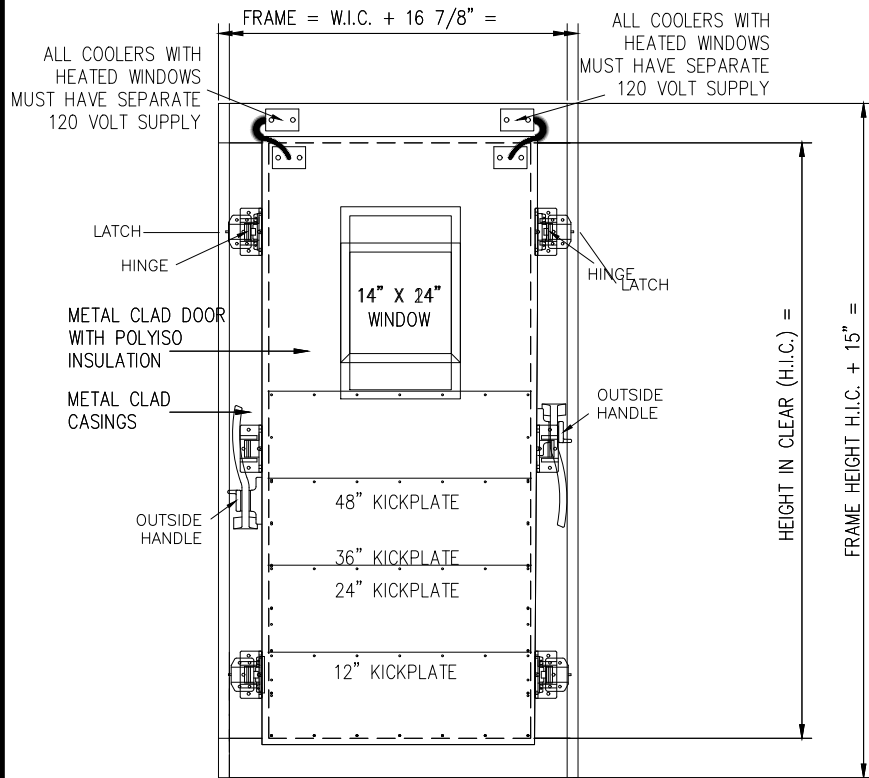
**SPECIAL INSTRUCTIONS TO MANUFACTURER:**

 A SENNECA COMPANY	JOB		CUSTOMER NO:		NO. PRINTS	FOR	DATE	REVISED
	SOLD TO		ORDER NO:					
			DRAWN BY:					
			SHEET	OF				

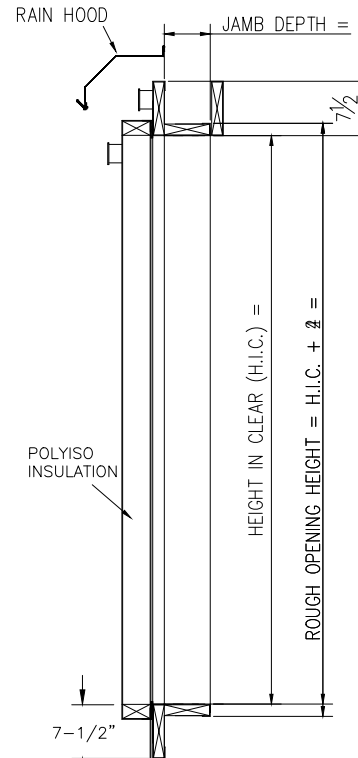
# OVERLAP SINGLE SWING DOOR, FOUR SIDED FRAME



**HORIZONTAL SECTION**



**FRONT ELEVATION**



**SIDE VIEW SECTION**

 A SENNECA COMPANY	JOB	CUSTOMER NO:	NO. PRINTS	FOR	DATE	REVISED
	SOLD TO	ORDER NO:				
		DRAWN BY:				
		SHEET OF				