

OVERLAP SINGLE SWING DOOR, THREE SIDED FRAME

DOOR STYLE:

OVERLAP W/ FRAME

DOOR FRAME TYPE:

THREE SIDED FACE CASINGS RETURN JAMB
INSIDE CASINGS

OPENING SIZE:

FINISHED OPENING WIDTH (W.I.C.):
FINISHED OPENING HEIGHT (H.I.C.): WALL THICKNESS:

OPENING METHOD:

HINGED ON LEFT HINGED ON RIGHT

APPLICATION:

COOLER FREEZER 4" THICK 6" THICK
(FREEZER DOORS COME STANDARD WITH HEAT IN 3 SIDES OF THE FRAME, DOOR
PANEL, AND DOOR BOTTOM)

ENTER ROOM TEMPERATURES:

TEMPERATURE WALL SIDE: F (PLEASE PROVIDE)
TEMPERATURE HINGE SIDE: F (PLEASE PROVIDE)

CLADDING - HINGE SIDE:

EMBOSSSED WHITE GALVANIZED. STAINLESS STEEL, EMBOSSSED
EMBOSSSED WHITE ALUMINUM
CUSTOM

CLADDING - WALL SIDE:

EMBOSSSED WHITE GALVANIZED. STAINLESS STEEL, EMBOSSSED
EMBOSSSED WHITE ALUMINUM
CUSTOM

HINGES:

STANDARD HINGES STAINLESS HINGES

VISION WINDOW:

HEATED NON-HEATED 14" x 14" 14" x 24"

KICK PLATE - HINGE SIDE:

16 GA. GALVANIZED PLATE 1/8" DIAMOND PLATE STAINLESS STEEL
12" TALL 24" TALL 36" TALL 48" TALL

KICK PLATE - WALL SIDE:

16 GA. GALVANIZED PLATE 1/8" DIAMOND PLATE STAINLESS STEEL
12" TALL 24" TALL 36" TALL 48" TALL


ADDITIONAL OPTIONS:

JAMB CHANNEL TRIM
FLOOR ROLLER
RAIN HOOD
EXTRA HINGE

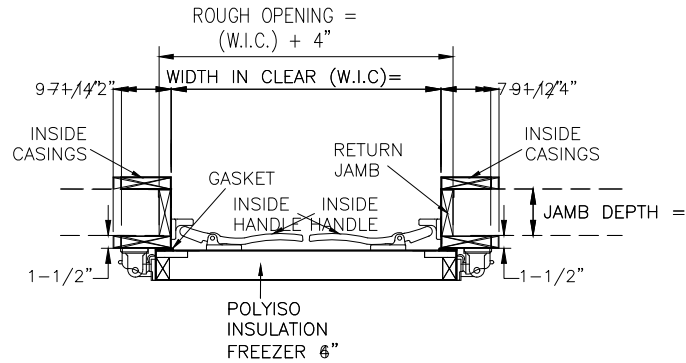
APPLICATION (REQUIRED):

1. IS THIS DOOR ON A BOX GREATER THAN 3000 SQ FEET? YES NO
2. IF NO, IS BOX LOCATED IN COLD STORAGE FACILITY/ATMOSPHERE WITH FLOOR
AREA 3000 SQ FEET OR LARGER? (A/C IS NOT COLD STORAGE) YES NO
3. DOES THIS APPLICATION INVOLVE MEDICAL, SCIENTIFIC, OR RESEARCH
FACILITIES? YES NO

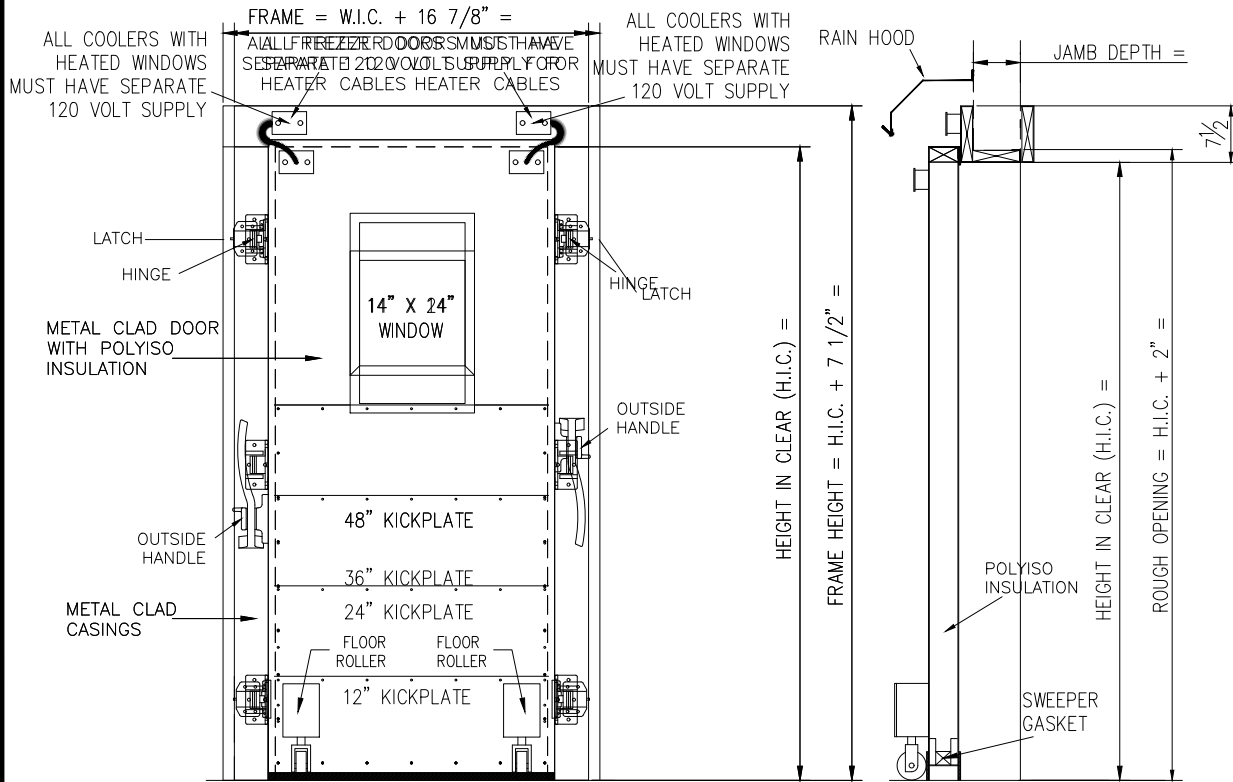
SPECIAL INSTRUCTIONS TO MANUFACTURER:

 A SENNECA COMPANY	JOB		CUSTOMER NO:		NO. PRINTS	FOR	DATE	REVISED
	SOLD TO		ORDER NO:					
			DRAWN BY:					
			SHEET	OF				

OVERLAP SINGLE SWING DOOR, THREE SIDED FRAME



HORIZONTAL SECTION



FRONT ELEVATION

SIDE VIEW SECTION

<p>A SENNECA COMPANY</p>	JOB	CUSTOMER NO:	NO. PRINTS	FOR	DATE	REVISED
	SOLD TO	ORDER NO:				
		DRAWN BY:				
		SHEET OF				