

MANUAL BI-PART SLIDING DOOR

DOOR STYLE:

MANUAL BI-PART SLIDING DOOR

DOOR FRAME TYPE:

THREE SIDED FACE CASINGS RETURN JAMB
INSIDE CASINGS

OPENING SIZE:

FINISHED OPENING WIDTH (W.I.C.):
FINISHED OPENING HEIGHT (H.I.C.): WALL THICKNESS:

APPLICATION:

COOLER FREEZER 4" THICK 6" THICK

ENTER ROOM TEMPERATURES:

TEMPERATURE WALL SIDE: F (PLEASE PROVIDE)
TEMPERATURE TRACK SIDE: F (PLEASE PROVIDE)

CLADDING - TRACK SIDE:

EMBOSSSED WHITE GALVANIZED. STAINLESS STEEL, EMBOSSSED
EMBOSSSED WHITE ALUMINUM
CUSTOM

CLADDING - WALL SIDE:

EMBOSSSED WHITE GALVANIZED. STAINLESS STEEL, EMBOSSSED
EMBOSSSED WHITE ALUMINUM
CUSTOM

VISION WINDOW:

HEATED NON-HEATED 14" x 14" 14" x 24"

KICK PLATE - TRACK SIDE:

16 GA. GALVANIZED PLATE 1/8" DIAMOND PLATE STAINLESS STEEL
12" TALL 24" TALL 36" TALL 48" TALL

KICK PLATE - WALL SIDE:

16 GA. GALVANIZED PLATE 1/8" DIAMOND PLATE STAINLESS STEEL
12" TALL 24" TALL 36" TALL 48" TALL

ADDITIONAL OPTIONS:

TRACKSIDE LOCK
SAFETY RELEASE
WALLSIDE LOCK
SAFETY RELEASE
HEATED SEALS
JAMB CHANNEL TRIM


WICKET DOOR:

SIZING:	PANEL:	HANDING:
36x84	LEFT PANEL	HINGED ON LEFT
36x78	RIGHT PANEL	HINGED ON RIGHT
30x78		
FURNISH EXTRA HINGE		

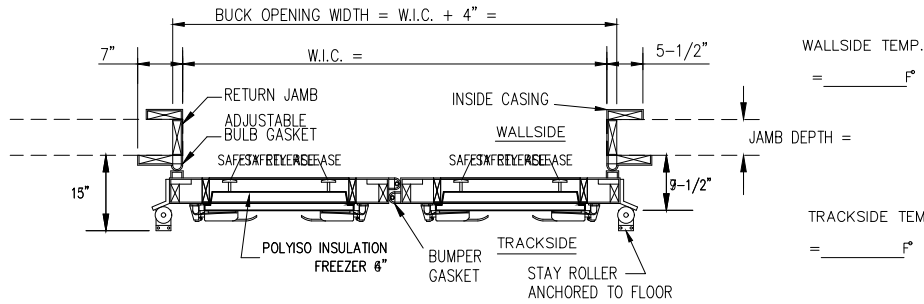
APPLICATION (REQUIRED):

- | | | |
|--|-----|----|
| 1. IS THIS DOOR ON A BOX GREATER THAN 3000 SQ FEET? | YES | NO |
| 2. IF NO, IS BOX LOCATED IN COLD STORAGE FACILITY/ATMOSPHERE WITH FLOOR AREA 3000 SQ FEET OR LARGER? (A/C IS NOT COLD STORAGE) | YES | NO |
| 3. DOES THIS APPLICATION INVOLVE MEDICAL, SCIENTIFIC, OR RESEARCH FACILITIES? | YES | NO |

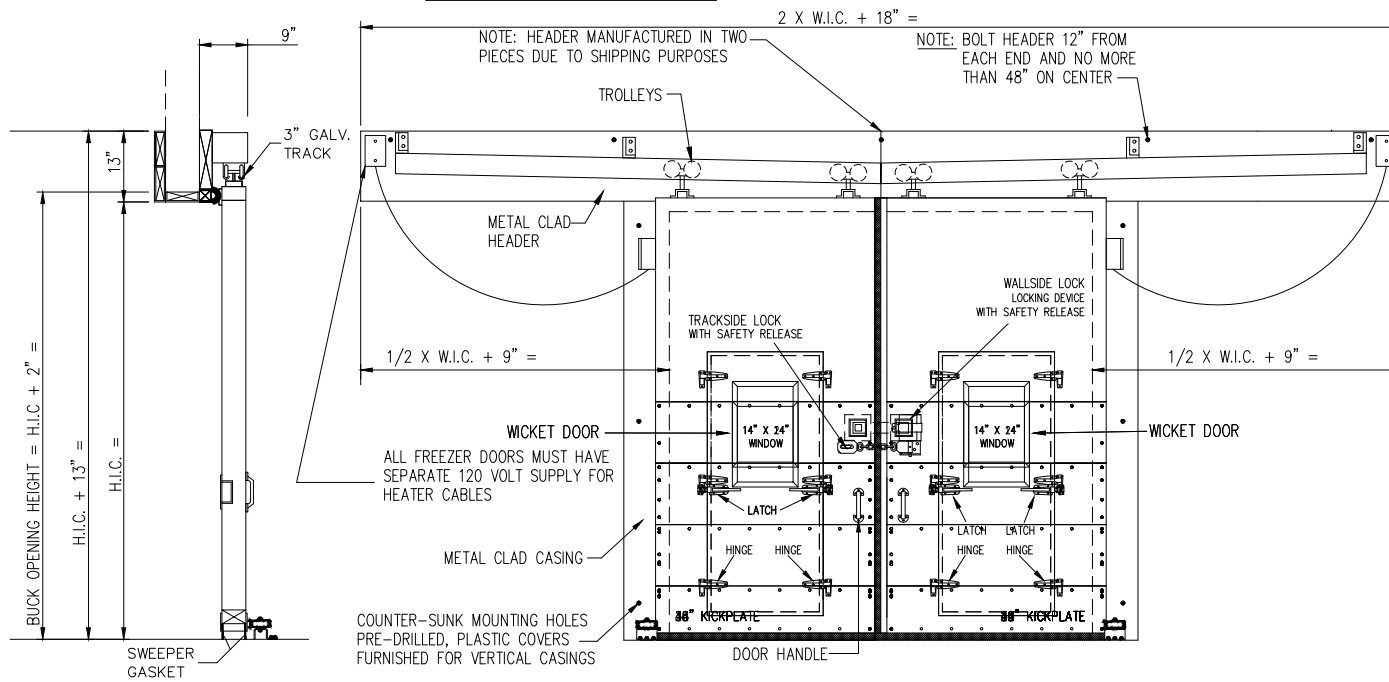
SPECIAL INSTRUCTIONS TO MANUFACTURER:

 A SENNECA COMPANY	JOB		CUSTOMER NO:		NO. PRINTS	FOR	DATE	REVISED
	SOLD TO		ORDER NO:					
			DRAWN BY:					
			SHEET	OF				

MANUAL BI-PART SLIDING DOOR



HORIZONTAL SECTION



SIDE VIEW SECTION

FRONT ELEVATION

<p>A SENNECA COMPANY</p>	JOB		CUSTOMER NO:		NO. PRINTS	FOR	DATE	REVISED
	SOLD TO		ORDER NO:					
			DRAWN BY:					
			SHEET OF					